

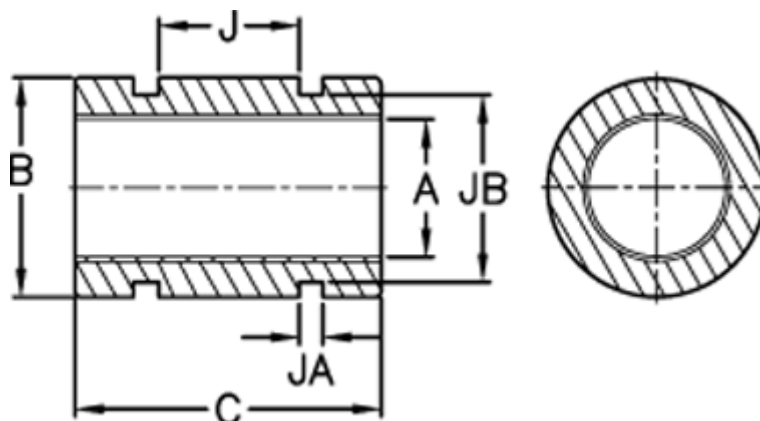
# Data Sheet



Article number: 5012010

Description: Thin wall bearing FMT 10

## Measures



A max = 10.035

A min = 10.013

B max = 17

B min = 16.981999999999999

Bush weight kg = 0.0085

C max = 26

C min = 25.745999999999999

Concentric mm = 0.0254

For o-ring = 14 x 1,6

J = 12

JA = 2

JB = 14.4

Static load (kg) = 546

Surface area kcm = 2.6